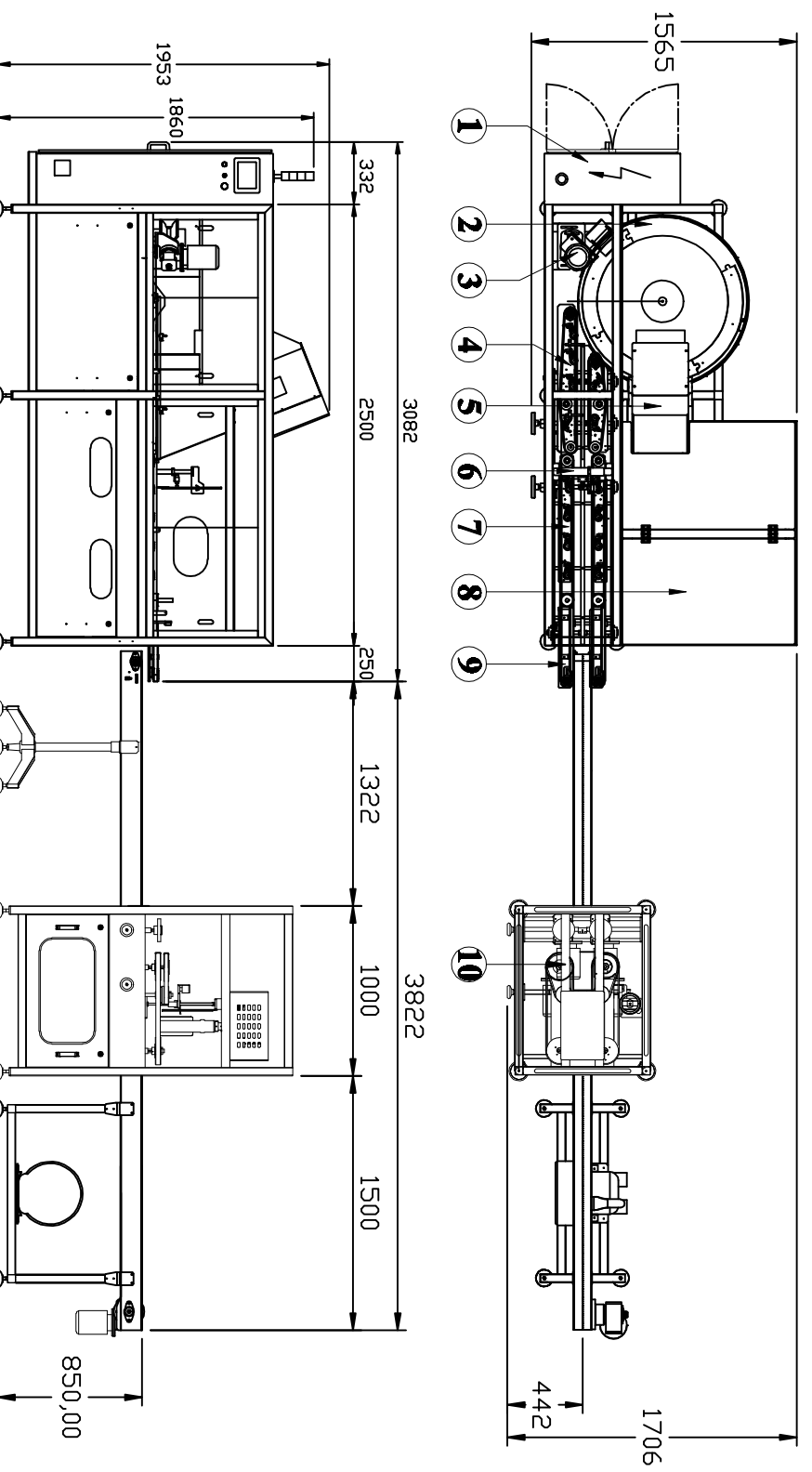


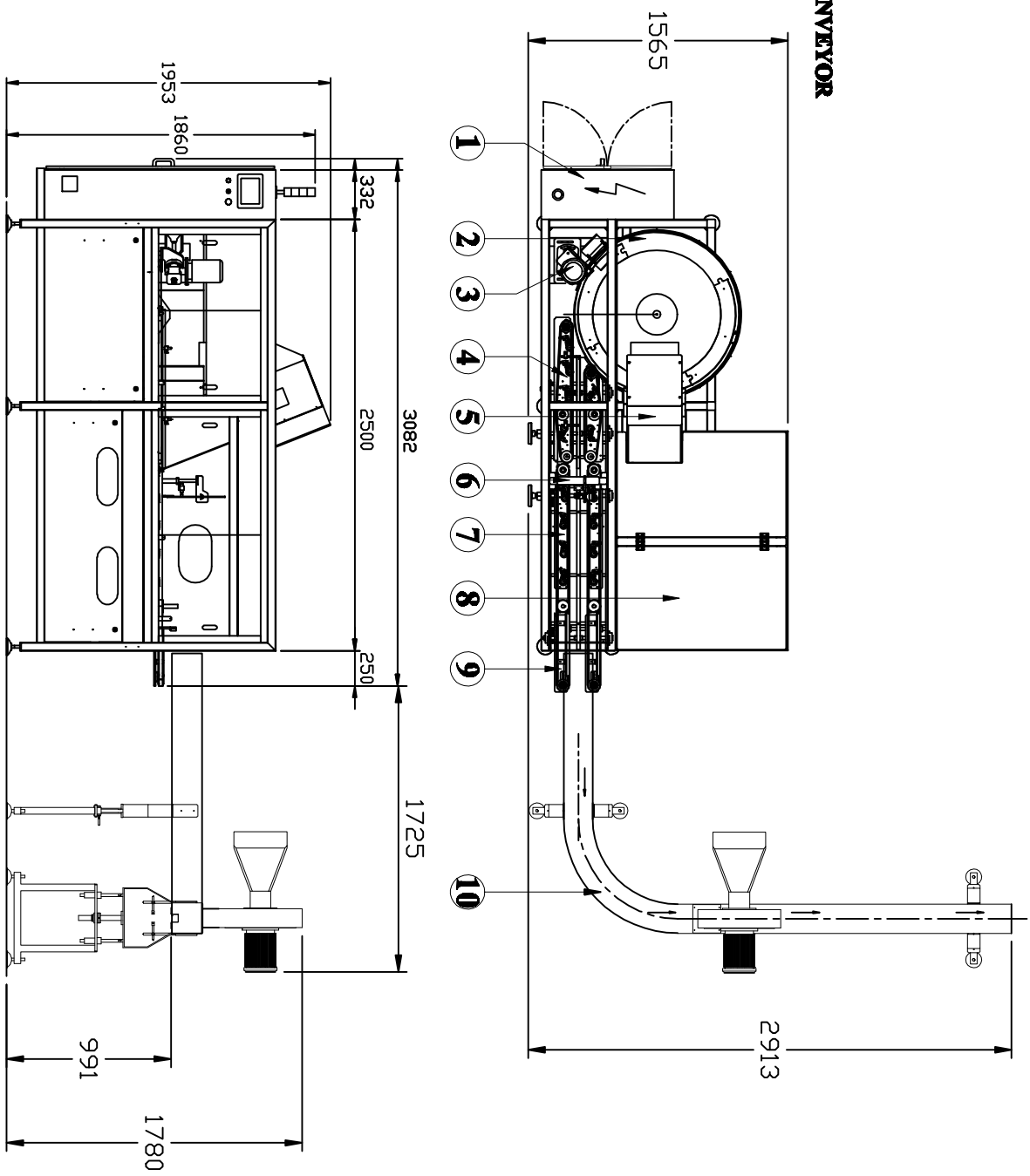
- 1. ELECTRICAL PANEL
- 2. SORTER
- 3. BRUSH
- 4. SPACING CONVEYOR
- 5. ELEVATOR
- 6. BOTTLE ORIENTOR
- 7. BOTTLE ORIENTATION BELT CONVEYOR
- 8. HOPPER
- 9. OUTLET CONVEYOR
- 10. AIR CONVEYOR
- 11. SECONDARY ORIENTOR



MACHINE DIRECTION LEFT TO RIGHT

Design by FPR	Drawn by ASK	Approved by GRN	3rd Angle Projection	DATE 13/04/2023	SCALE NTS
PROJECT: XXX			ASSEMBLY: LAYOUT	TITLE: BOTTLE ORIENTATION BELT CONVEYOR	
UNILIA MACHINE TOOLING Via S. Felice 10 - 40020 S. Felice (BO) - Italy Tel: +39 059 2000000 - Fax: +39 059 2000001			DRG.-NO. UNB - 1200 - 04		
			EDITION SHEET		

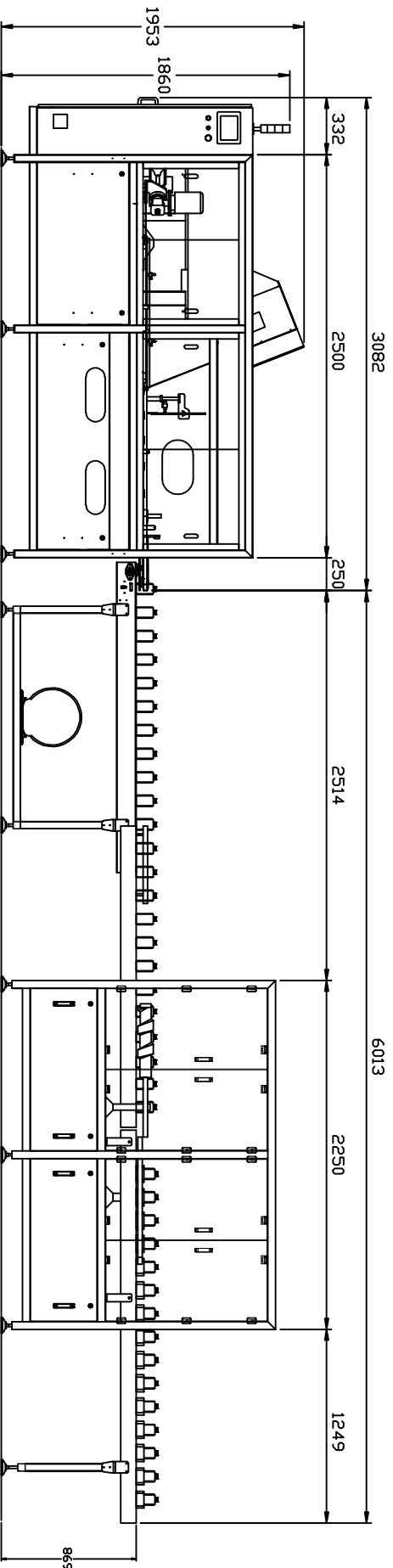
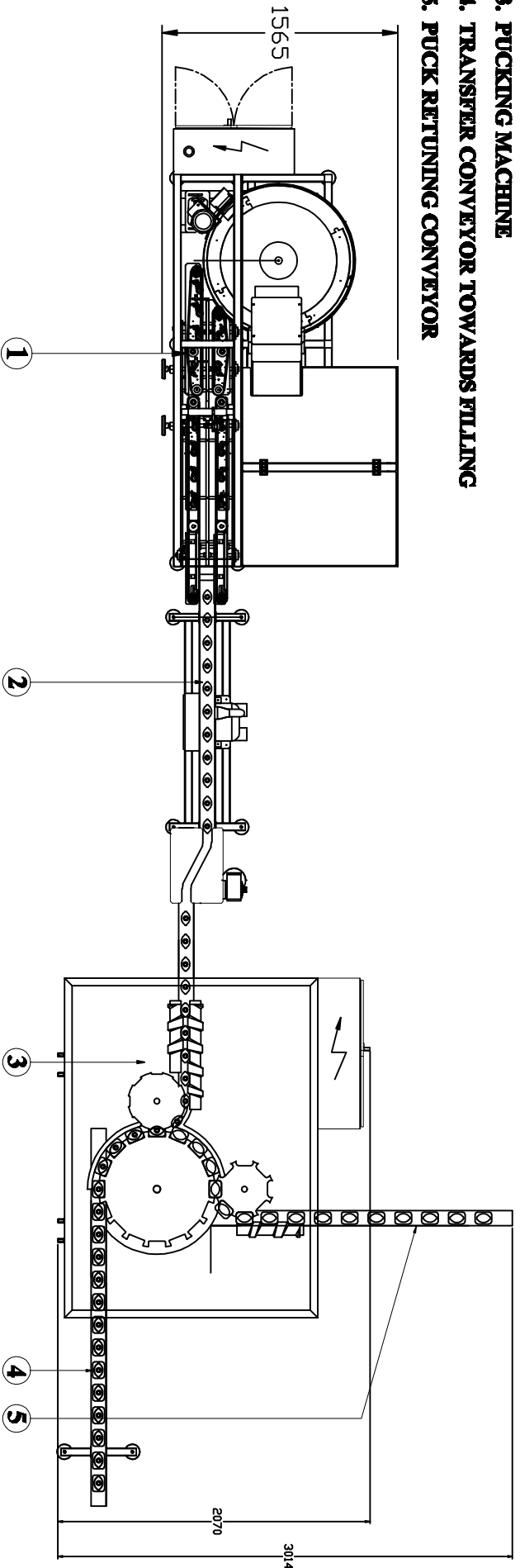
- 1. ELECTRICAL PANEL
- 2. SORTER
- 3. BRUSH
- 4. SPACING CONVEYOR
- 5. ELEVATOR
- 6. BOTTLE ORIENTOR
- 7. BOTTLE ORIENTATION BELT CONVEYOR
- 8. HOPPER
- 9. OUTLET CONVEYOR
- 10. AIR CONVEYOR



MACHINE DIRECTION - LEFT TO RIGHT

Design by FPR	Drawn by ASK	Approved by GRN	3rd Angle Projection	DATE 13/04/2023	SCALE NTS
PROJECT: XXX				ASSEMBLY: LAYOUT	
 <small>URVIA S.p.A. - Via S. Felice 10 - 40020 S. Felice (BO) - Italy</small>				TITLE: BOTTLE UNSCRAMBLER WITH AIR CONVEYOR	
DRG.-NO. UMS-1200-02			EDITION SHEET		

1. BOTTLE UNSCRAMBLER
2. VACUUM CONVEYOR
3. PUCKING MACHINE
4. TRANSFER CONVEYOR TOWARDS FILLING
5. PUCK RETURNING CONVEYOR



MACHINE DIRECTION LEFT TO RIGHT

Design by FPR	Drawn by ASK	Approved by GRN	3rd Angle Projection	DATE 13/04/2023	SCALE NTS
PROJECT: XXX			ASSEMBLY: LAYOUT		
TITLE: DRITZL UNSCRAMBLER - 500L WITH VACUUM CONVEYOR AND PUCKING MACHINE					
DRG.-NO. UNB - 1200 - 08					
EDITION SHEET					