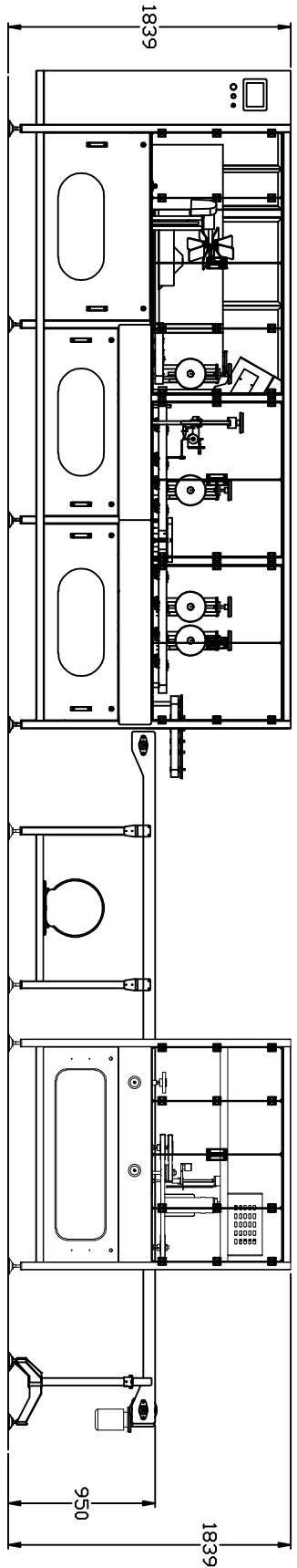
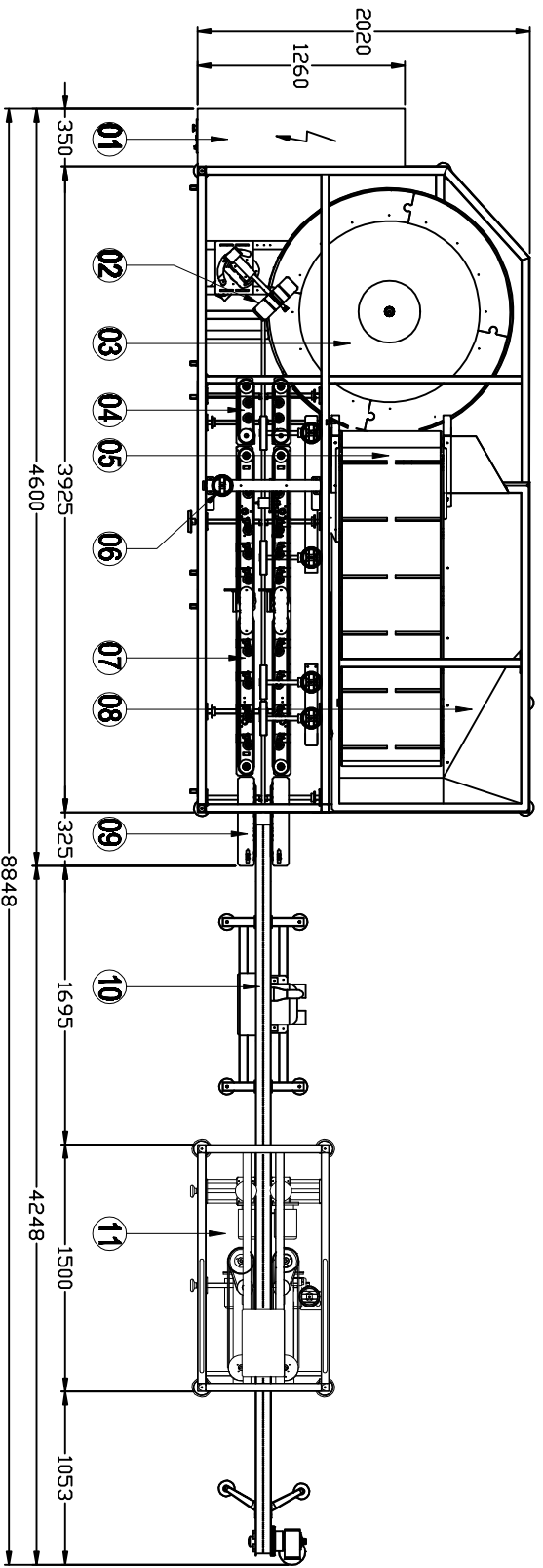


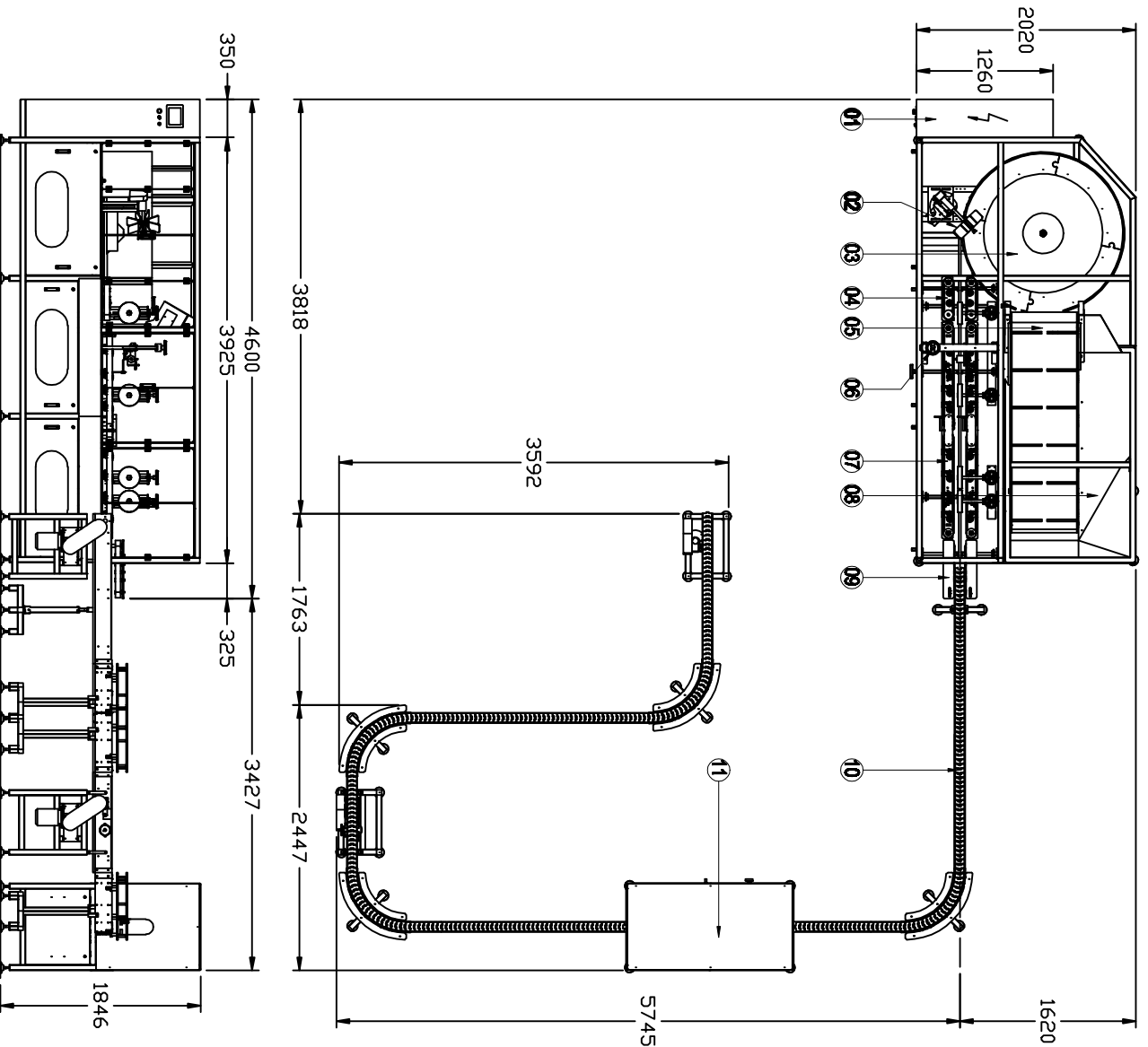
- 1. ELECTRICAL PANEL
- 2. BRUSH
- 3. SORTER
- 4. SPACING CONVEYOR
- 5. ELEVATOR
- 6. BOTTLE ORIENTER
- 7. BOTTLE ORIENTATION BELT CONVEYOR
- 8. HOPPER
- 9. OUTLET CONVEYOR
- 10. VACUUM CONVEYOR
- 11. SECONDARY BOTTLE ORIENTER



**MACHINE DIRECTION - LEFT TO RIGHT**

Design by FPR	Drawn by ASK	Approved by GRN	3rd Angle Projection	DATE 13/04/2023	SCALE NTS
PROJECT: XXXX			ASSEMBLY: LAYOUT		
URVIA MACHINIE TOEGELD			TITEL: SORTER (LAYOUT) (P&ID) - 2023		
DRG.-NO. UMS-1800-02			EDITION SHEET		

1. ELECTRICAL PANEL
2. BRUSH
3. SORTER
4. SPACING CONVEYOR
5. ELEVATOR
6. BOTTLE ORIENTOR
7. BOTTLE ORIENTATION BELT CONVEYOR
8. HOPPER
9. OUTLET CONVEYOR
10. SLAT CONVEYOR
11. SECONDARY BOTTLE ORIENTER



Drawn by ASK	Approved by GRN	3rd Angle Projection	DATE 13/04/2023	SCALE NTS
PROJECT: XXXX	ASSEMBLY: <b>LAYOUT</b>		TITLE: BOTTLE ORIENTATION MACHINE LAYOUT	
URBIA MACHINE TOOLS		DRG.-NO. UMS - 1000 - 03		
URBIA MACHINE TOOLS		EDITION   SHEET		