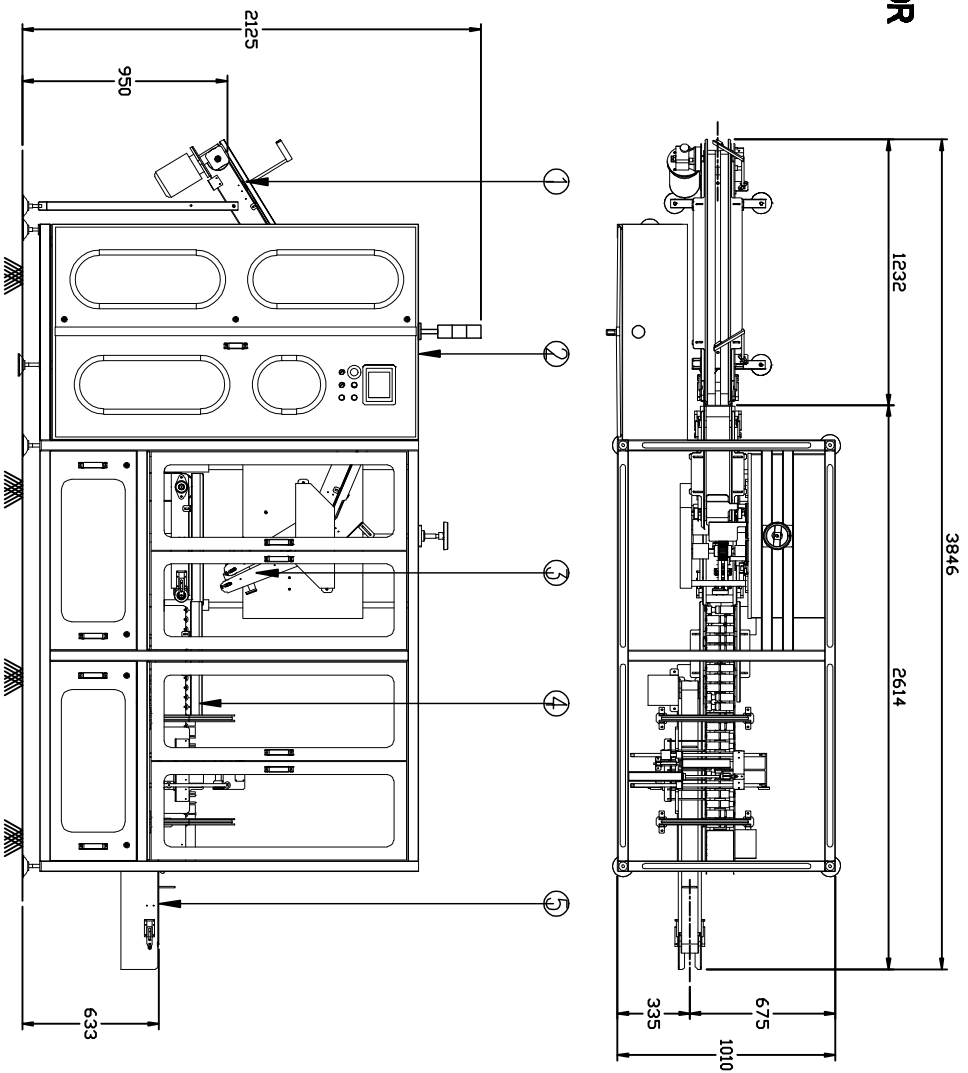


- 1. INFEED CONVEYOR
- 2. ELECTRICAL PANEL
- 3. 1/2' FOLDING CONVEYOR
- 4. CENTER & TURNING CONVEYOR
- 5. OUTLET CONVEYOR



MACHINE DIRECTION - LEFT TO RIGHT

Designed by FPR	Drawn by ASK	Approved by GRN	3rd Angle Projection	DATE 14/04/2023	SCALE NTS
PROJECT: XXXI	ASSEMBLY: LAYOUT		TITLE: Z FOLD + COLLATOR MACHINE		
 <small>USHA MACHINE TOOLS Sole Proprietorship 14/10/2018</small>			DRG.-NO. FZ - 330 - 02	EDITION	SHEET

