

# LINEAR BOTTLE UN-SCRAMBLER

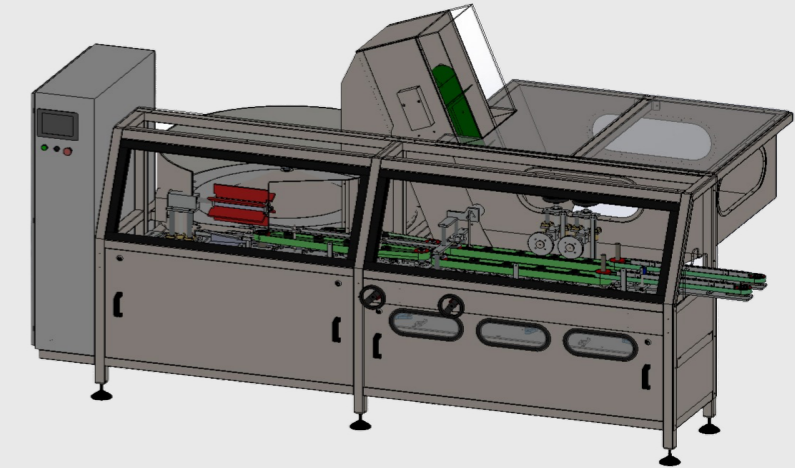
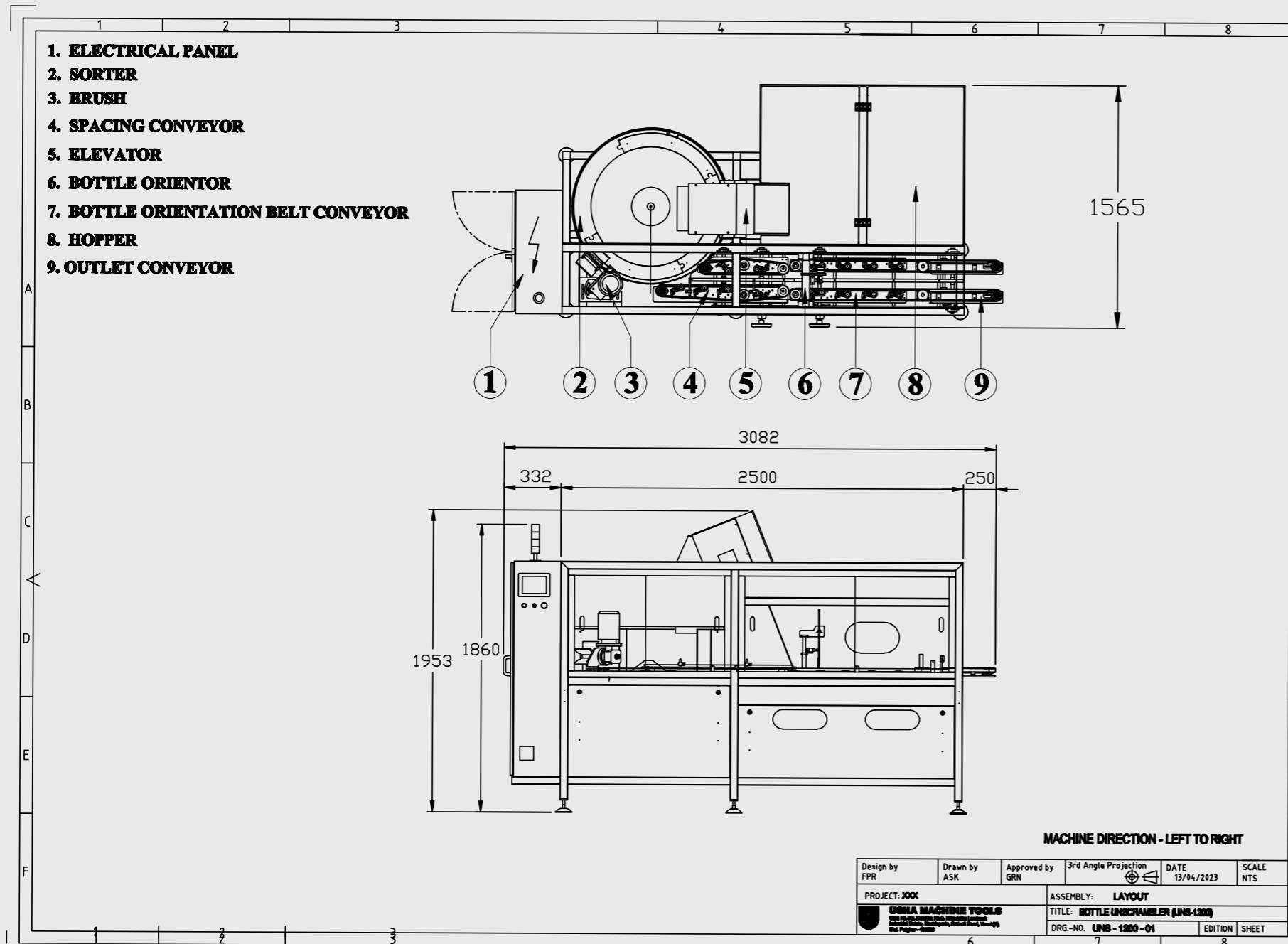
## MODEL: UNS-1200



**USHA MACHINE TOOLS**  
DELIVERS THE PACKAGING SOLUTION YOU NEED

UNS-1200 Linear Bottle Un-Scrambler is specially designed for bottles with heights up to 250mm. this machine is able to handle bottles in the range of 15ml to 1L in volume. Speeds up to 350BPM makes this machine a must in high-speed production facilities. UNS-1200 can be installed in all the industries due to its flexible design.

### MACHINE LAYOUT



[https://youtu.be/QBlxYt\\_8vhE](https://youtu.be/QBlxYt_8vhE)

Client Projects With UNS-1200

- With In-Line Bottle Pucking System
- With Air Conveyor
- With Accumulation Conveyor

### TECHNICAL SPECIFICATIONS

M.O.C.	S.S. 304 / M.S. (POWDER COATED)
MACHINE DIMENSIONS (LxWxH)	3094mm x 1215mm x 1622mm
BOTTLE SHAPES	All Shapes
BOTTLE DIAMETER (Maximum)	20mm - 90mm
BOTTLE HEIGHT (Maximum)	20mm - 270mm
BOTTLE VOLUME	15ml - 1L
MACHINE SPEED	100 BPM - 340 BPM
HOPPER CAPACITY	23 CU. FT
POWER SOURCE	440V   50 Hz   3PHASE
POWER CONSUMPTION	4HP   3kW
AIR PRESSURE	2 BAR
MACHINE WEIGHT	800kg
NOISE LEVEL	80dB